

ÉPURATEUR D'AIR AUTONOME MF



The weld-fume filter MF is a handy tool for temporary worksites. The mobile filter MF offers a high level of filtration and high extraction capacity. It is equipped with a gas spring balanced extraction arm (PR), 2 alt. 3 meters long.

The smooth inside of the extraction arm helps reduce the risk of ducts being blocked. All necessary adjustments can easily be taken care of from the outside. Carbon filter cartridges for gas-mixed air are available on request.

The filter is easily maneuverable due to four pivot wheels. N.B The portable filter is not intended for extraction of liquids. Extraction capacity : about 1200 m³/h with PR-arm Ø160 mm. The MF filter is delivered with cable and plug for 1-phase 230 V ~ connection, alt. 1-phase 115 V ~ connection.

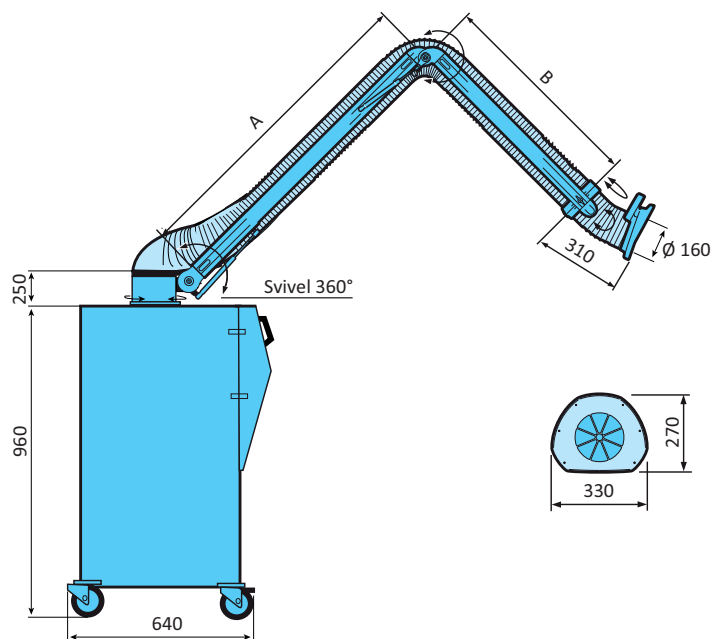
2 different options available :

- MF 2000 with a PR 2000-160
- MF 3000 with a PR 3000-160

ÉPURATEUR D'AIR AUTONOME

MF

DESCRIPTIF



Part no:	A (mm)	B (mm)	Ø (mm)	Weight (kg)
MF 2000	950	490	160	67
MF 3000	1450	490	160	69

Performance

Capacity about 1200m³/h with PR-arm Ø160mm

Motor Power 0,75 kW, 2800rpm
1-phase 230 V~ 50Hz alt.
1-phase 115 V ~ 60Hz

Filter

Filter standard >98% acc. to DOP
Filter accessory Carbon filter
Filter area 14m²

Filter house

Height x Width x Depth 960x470x640 mm

Hose

Qualities Non-inflammable, suitable for welding fumes and flue gas

Temperature range -10°C to +90°C

Gas spring

Work temperature +20°C
Temperature range -40°C to +90°C

Other

Surface treatment of sheet metal parts Powder coating
Weight 67 kg

Filter holder

Made of powder coated sheet steel with four pivot wheels (two lockable).

Filter

Cartridge filter, 2 layer, flame-resistant

Accessories

Carbon filter.

Hose

Made of spring coil completely embedded in PVC-coated polyamide fabric.

For other hose qualities, contact FUMEX.

Delivery Design

Supplied complete with cable and plug.